



# Cremone Bolt

Order Guide



# Luxury Architectural Hardware since 1868

---



Haute Cremone Bolt with Small Zeppelin Knob

## Elegance meets fine craftsmanship

---

Our Cremone bolts are suitable for French doors, windows, cabinet and internal doors, giving an opulent, linear look.

A simple and graceful design, yet somehow adding so much grandeur, Cremone bolts will not only transform the aesthetic of a cabinet, door or window, but the wider room they sit within.

Pair with a multitude of existing levers and knobs within the Croft portfolio and choose from over 25 of our signature finishes & patinas.



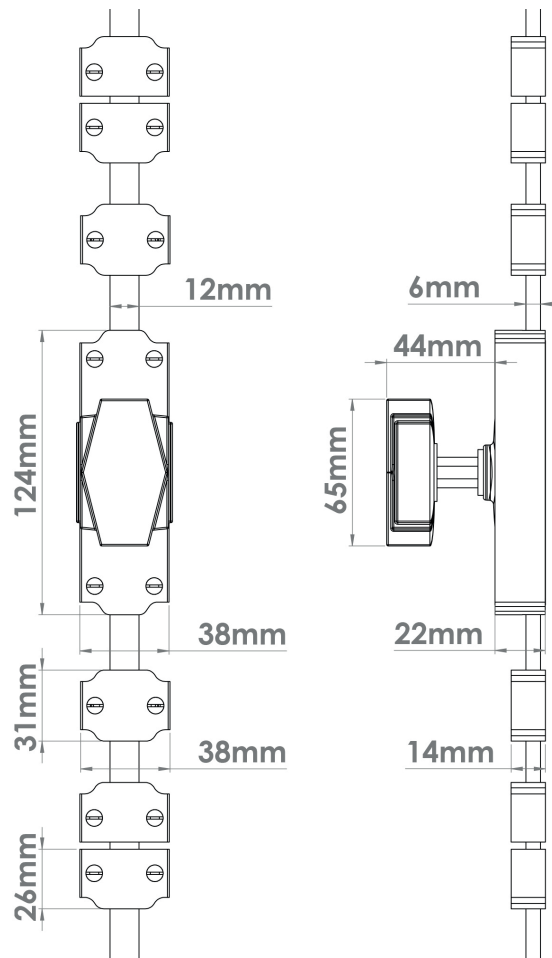
Contour Cremone Bolt with Small Zeppelin Knob

# Elevate your project

The combination of elongated brass bars, together with a choice of three designs, Luxe, Haute and Contour, makes for a versatile, luxury item combining both traditional and contemporary design elements.

## Luxe Cremone Bolt

Our Luxe Cremone bolt is supplied with 2 x rods as standard, 2 x central guides, 4 x end guides, 2 x flat plates and 2 x angle plates.



**6000/7005**  
Luxe Cremone Bolt with  
Art Deco Knob  
Finish shown: Polished Brass  
Unalacquered

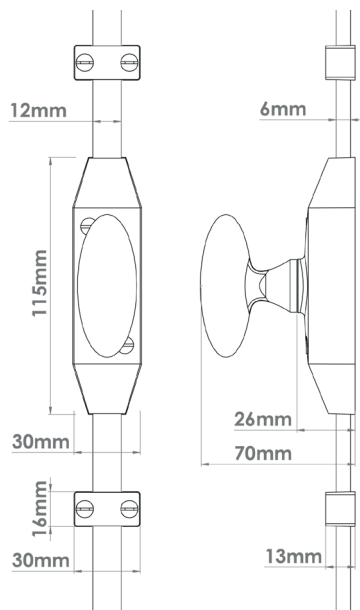
**6000/1752**  
Luxe Cremone Bolt with  
Zeppelin Knob  
Finish shown: Polished Brass  
Unalacquered

**Luxe Cremone Bolt Locking Guide**  
Add L to the product code to specify locking version

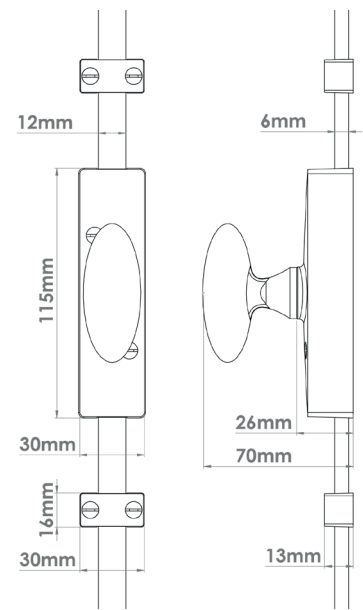
## Haute & Contour Slimline Cremone Bolts

Concealed guide inserts and a ball-bearing assisted cassette mechanism ensure the rods within our slimline Cremone bolts travel smoothly and in alignment, making for a truly luxurious user experience.

The tactility of the bolt is only further enhanced with a small, satisfying click at the closed and open positions.



6010/1752A  
Contour Cremone Bolt with Small Zeppelin Knob  
Finish shown: Satin Brass



6011/1752A  
Haute Cremone Bolt with Small Zeppelin Knob  
Finish shown: Polished Nickel

Parts supplied: 2 x Rods, 6 x Central Guides, 6 x Smooth Guide Inserts, 2 x Flat Plates, 2 x Angle Plates



**Slimline Cremone Bolt Locking Mechanism**  
Add L to the product code to specify locking version

# How to order & build your product code

## Step 1: Choose your design



6000  
Luxe  
124 x 37mm



6010  
Slimline Contour  
115 x 30mm



6011  
Slimline Haute  
115 x 30mm

For the Slimline Contour, begin your code with 6010.

## Step 2: Identify your sizing category

A	B	C	D	E
0 - 999mm	1000 - 1499mm	1500 - 1999mm	2000 - 2599mm	2600+

The sizing category refers to the overall size of the door.

For an overall length of 2000mm, add D to the end of your code (6010D).

## Step 3: Select an option if required



Locking (L)

Left: Locking mechanism  
for 6010 & 6011

Bottom right: Locking  
guide for 6000



Cranked Rods (CKD)



Fixed/ Dummy  
knob or lever (FX)



Left-hand or Right-hand  
(LH) or (RH)  
(Right-hand shown shown)

Add cranked rods by including CKD at the end of your code (6010DCKD).

## Step 4: Choose your knob or lever design

See page 8 for compatible knobs and levers.

Add a forward slash to your code, followed by the code of your chosen lever or knob (6010CKD/1752A).

## Step 5: Choose your finish

Our Cremona bolts are available in 25 of our luxury finishes & patinas.

Add SBUL for Satin Brass Unlacquered (6010DCKD/1752A-SBUL).

# Ordering your Cremone bolt checklist

---

Cremone bolt code:	
Sizing category:	
<b>Dimensions</b> <i>We will need two measurements from you when ordering Cremone bolts (please include all dimensions in mm):</i>	
Overall size of the door (not including the frame):	
Handle height (distance from the bottom of the door):	
Additional features: <input type="checkbox"/> <input type="checkbox"/> <input type="checkbox"/> <input type="checkbox"/> <input type="checkbox"/> Locking                      Cranked Rods                      Fixed/Dummy lever or knob                      Left-hand (if applicable)                      Right-hand (if applicable)	
Knob or lever design code:	
Finish code:	
Any additional information:	

# Choose your knob or lever design

The below are examples of knob and lever options that are compatible with our Cremone bolts.

## Knob Options:

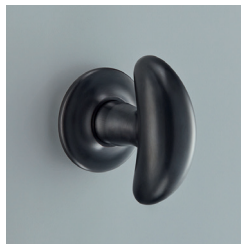


1752A  
Small Zeppelin Knob  
Finish shown: Satin Brass

This knob has been specially designed to fit the Slimline Contour and Slimline Haute Cremone bolts.



1752  
Zeppelin Knob  
Finish shown: Light Antique Brass



1753  
Crescent Knob  
Finish shown: Matte Black Bronze



1754  
Oval Knob  
Large version available  
Finish shown: Satin Brass



4190  
Raised Oval Knob  
Finish shown: Polished Brass



7005  
Art Deco Knob  
Finish shown: Polished Brass

## Lever Options:



1746  
Stafford Lever  
Finish shown: IBMA



7020  
Grace Lever  
Finish shown: Satin Brass



7101  
Elegance Lever  
Finish shown: Matte Black Bronze



7200  
Floe Lever  
Finish shown: Light Antique Brass



7210  
Garde Lever  
Finish shown: Autumn Bronze



7220  
Celeste Lever  
Finish shown: Polished Brass Unlacquered

Further designs are available, please speak to a member of our team for more information.





Haute Cremona Bolt with Small Zeppelin Knob

# Luxury Architectural Hardware since 1868

Designed, crafted, and perfected in England

[www.crofthardware.com](http://www.crofthardware.com)