



CROFT

Product Code: 6010/1752A

Product Name: Contour Slimline Cremone Bolt

Description: Our Slimline Cremone bolts are suitable for both cabinet and internal doors, giving an opulent look.

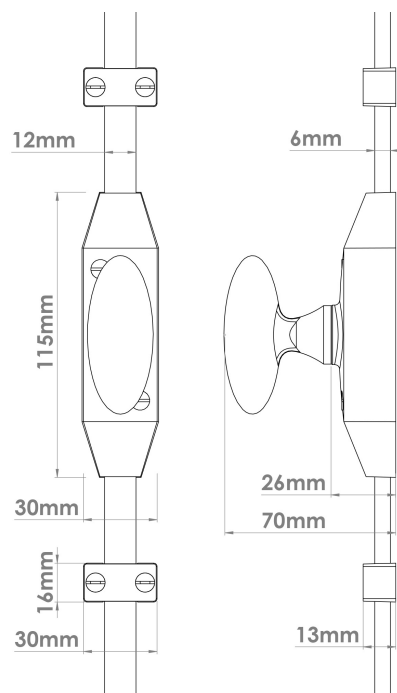
With an enhanced mechanism to ensure the smooth movement of the rods and a satisfying tactile experience, the Contour Cremone Bolt features a simple and graceful design, transforming the aesthetic of the whole room it sits within.

Available with the specially designed small Zeppelin Knob, along with a selection of Classic knobs and levers. Please view the Cremone bolt brochure for more information.

Shown here in our Satin Brass finish.

Product Information

All bolts come complete with: 2 x Central Guides 4 x End Guides 2 x Flat Plates 2 x Angle Plates 2 x 1.2m Rods as standard (Other sizes can be ordered)



Available in all Croft finishes excluding DORB, IBMA, IBUL, MBK, ORB, RBMA, TB,