



CROFT



Product Code: 7035/240

Product Name: Bark Turn & Release on Plain Rose

Description: True to its name, the Bark Turn & Release was meticulously designed to emulate the pattern of natural tree bark.

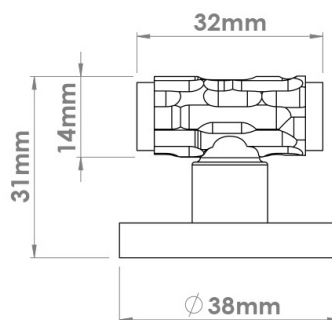
The surface features soft, tactile grooves that are completely unique, meaning no two products will be the same.

Shown here in our Midnight Carbon finish.

Product Information

Turns are supplied with a 5mm spindle.

Complete with outer roses, sub roses with screw fixings, and release.



L

32

Available in all Croft finishes excluding DAB, DAN, DORB, IBMA, IBUL, MBK, ORB, RBMA, TB, CN,