



CROFT



Product Code: 7035PT/ 240PR

Product Name: Bark Privacy Turn on Plain Rose

Description: True to its name, the Bark Privacy Turn was meticulously designed to emulate the pattern of natural tree bark.

The surface features soft, tactile grooves that are completely unique, meaning no two products will be the same.

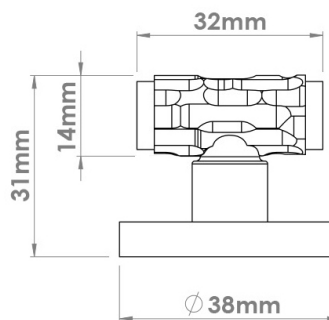
Shown here in our Midnight Carbon finish.

Product Information

Turns are supplied with a factory fitted 5mm spindle and rose. Supplied diamond orientation as standard, square available on request.

ACC31 Release Ferrule also available to order.

Release key not supplied.



Available in all Croft finishes excluding DAB, DAN, DORB, IBMA, IBUL, MBK, ORB, RBMA, TB, CN,