



# CROFT



**Product Code:** 206

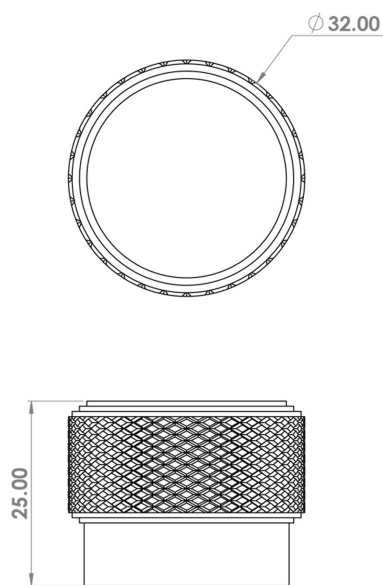
**Product Name:** Chelsea Cabinet Knob

**Description:** Where precision, style and functionality combine. Labyrinthine knurling accentuates the precise edges and sleek form of the Chelsea Cabinet Knob.

Shown here in our DBMA finish.

## Product Information

Supplied with M5 fixing screws.



Available in all Croft finishes excluding DORB, IBMA, IBUL, MBK, ORB, RBMA, TB,