



# CROFT



**Product Code:** 1582COV57D

**Product Name:** Kingsmere Lever on Arc Covered Rose

**Description:** Crafted with smooth contours and a timeless silhouette, the Kingsmere's clean classical form and small decorative collar encapsulates a refined, transitional style, exuding elegance and sophistication with gently balanced proportions.

As part of the Classic collection, the Kingsmere lever is available on any of our Classic roses and backplates.

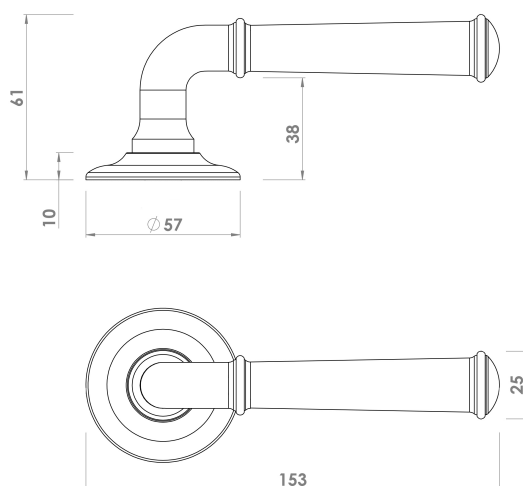
Shown here in our Aged Brass finish.

## Product Information

Shown here on rose COV57D, 57mm diameter rose

Unsprung, inner rose is fixed with woodscrews supplied.

Please note sprung rose is 4mm thicker than unsprung rose.



Available in all Croft finishes excluding DORB, IBMA, IBUL, MBK, ORB, RBMA, TB,