



# CROFT

**Product Code:** 1840

**Product Name:** Eclipse Garment Hook

**Description:** Add understated class and reliable strength to your hallway, bootroom, wardrobes and more with the Eclipse garment hook.

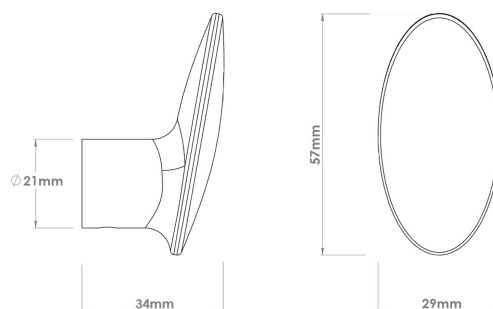
A smooth, round sculpted form available in a choice of 24 luxury Finishes & Patinas.

Shown here in our Antique Nickel finish.

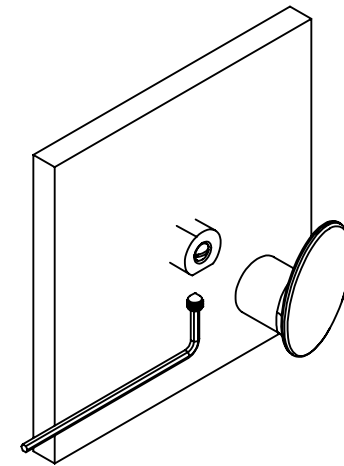
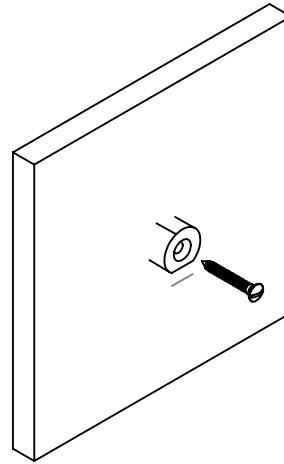
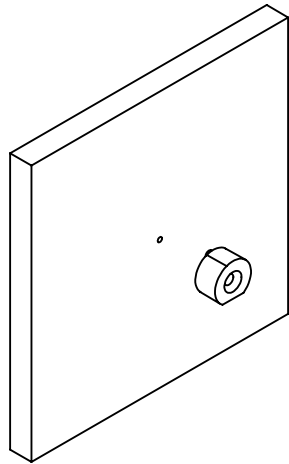
## Product Information

Grub Screw Fix (Supplied with no8 x 1" wood screw)

Fitting instruction available.



Available in all Croft finishes excluding DORB, IBMA, IBUL, MBK, ORB, RBMA, TB,

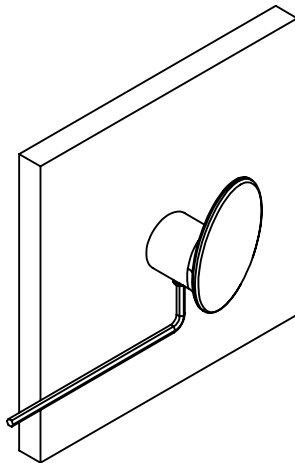


01: MARK OUT HOLE POSITION:

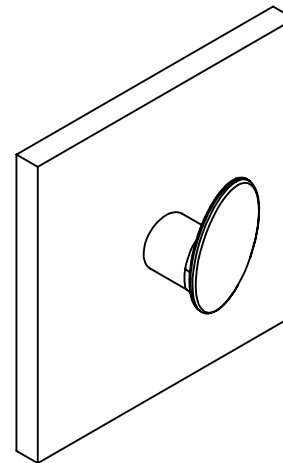
01a: FITTING INTO PLASTER BOARD, USE A RAWL PLUG.  
01b: FITTING INTO WOOD, DRILL A PILOT HOLE.

02: FIT THE FIXING INSERT ENSURING  
THE FLAT SIDE IS HORIZONTAL.

03: FIT GARMENT HOOK OVER THE FIXING INSERT.

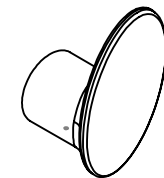


04: USING SUPPLIED GRUB SCREW ASSEMBLE THE HOOK TO THE FIXING INSERT.



05: REPEAT STEPS FOR ALL OTHER GARMENT HOOKS.

**PACK CONTENTS**



1x GARMENT HOOK



1x FIXING INSERT



1x WOOD SCREW



1x GRUB SCREW