



CROFT

Product Code: 6330

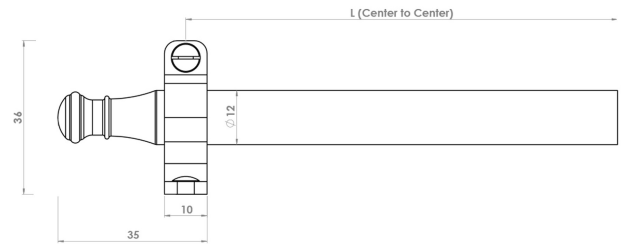
Product Name: Manor Stair Rods

Description: Inspired by traditional stair detailing, our Manor Stair Rods are designed to complement stair runners with refined simplicity, offering a finishing touch to interiors.

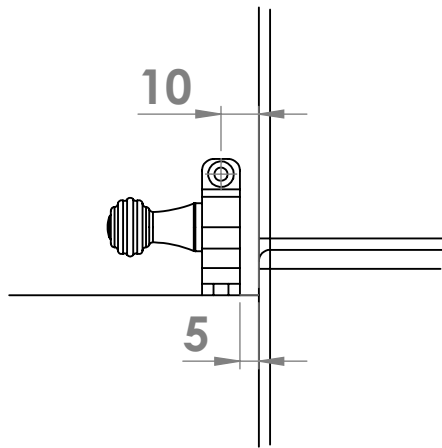
Shown here in our Light Antique Brass finish.

Product Information

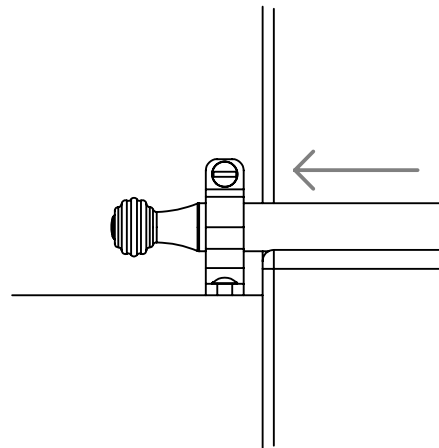
Supplied with 4 fixing screws.



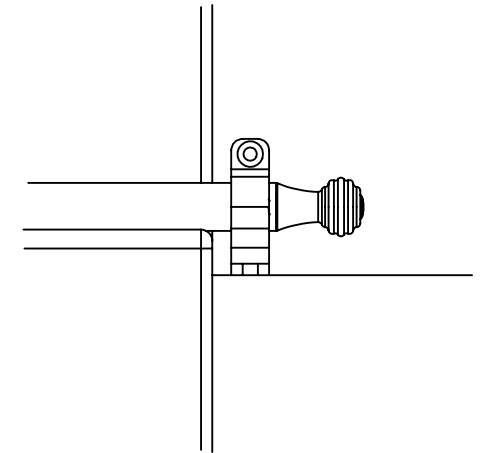
Available in all Croft finishes excluding DAB, DAN, DORB, IBMA, IBUL, MBK, ORB, RBMA, TB, ZB, DCN,



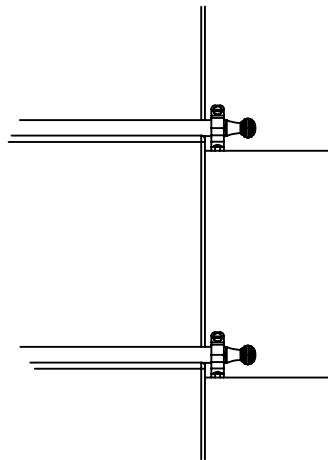
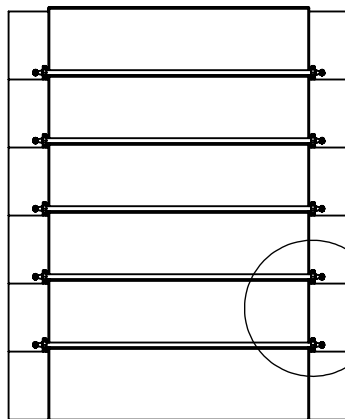
01: SET OUT FIRST BRACKET POSITION, MARK CENTERS AND DRILL A PILOT HOLE FOR FIXINGS



02: SECURE FIRST BRACKET USING SUPPLIED WOOD SCREWS AND SLIDE STAIR ROD INTO THE BRACKET AS SHOWN



03: SET OUT CORRESPONDING BRACKET POSITION, MARK CENTERS AND DRILL A PILOT HOLE FOR FIXINGS

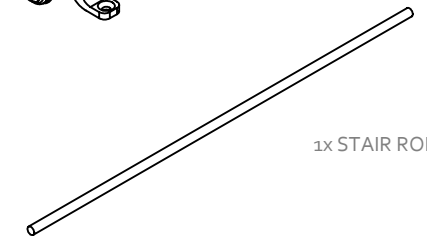


04: REPEAT STEPS 1-3 CHECKING EVERY OTHER STEP FOR ALIGNMENT AS YOU WORK UP.
 NOTE: RODS HAVE SOME ADJUSTMENT WITHIN BRACKETS TO HELP MAINTAIN ALIGNMENT

PACK CONTENTS (QUANTITY PER STEP)



2x BRACKET AND FINIAL
 (COMES PRE ASSEMBLED)



1x STAIR ROD



4x WOOD SCREW