



# CROFT

**Product Code:** 6331

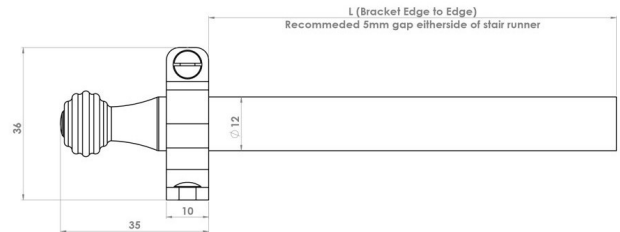
**Product Name:** Reeded Stair Rods

**Description:** Defined by its finely detailed reeded profile, the Reeded stair rods are designed to enhance stair runners, adding subtle texture and refined, traditional detailing.

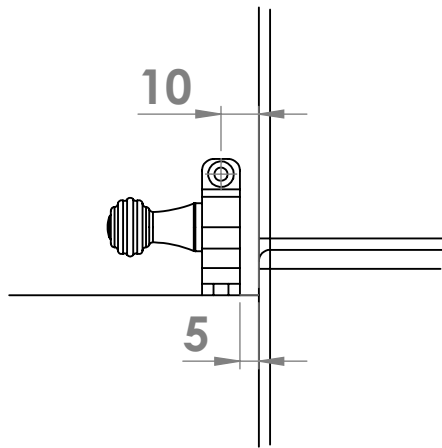
Shown here in our Light Antique Brass finish.

## Product Information

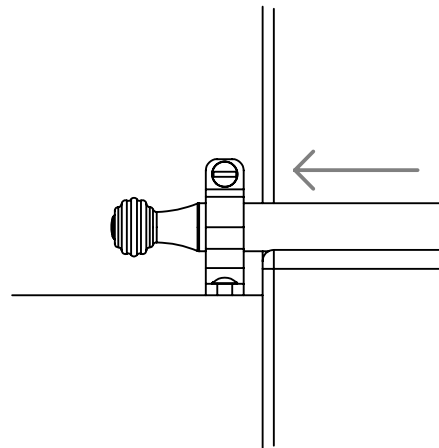
Supplied with 4 fixing screws.



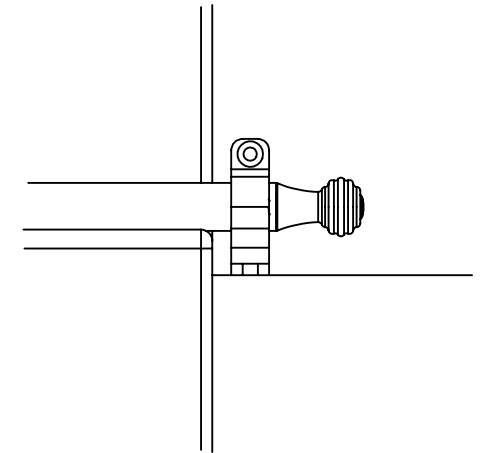
Available in all Croft finishes excluding DAB, DAN, DORB, IBMA, IBUL, MBK, ORB, RBMA, TB, ZB, DCN,



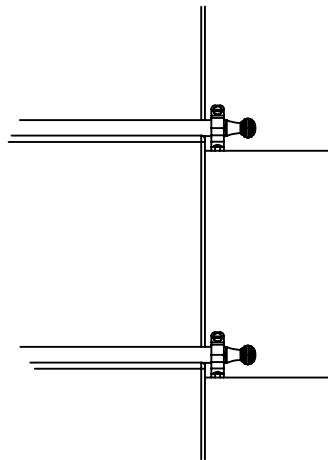
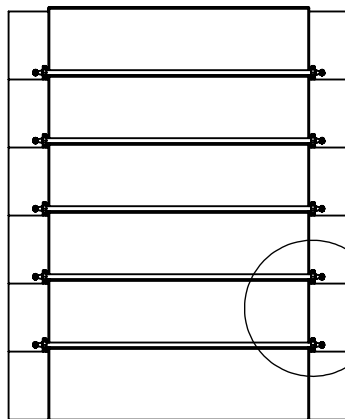
01: SET OUT FIRST BRACKET POSITION, MARK CENTERS AND DRILL A PILOT HOLE FOR FIXINGS



02: SECURE FIRST BRACKET USING SUPPLIED WOOD SCREWS AND SLIDE STAIR ROD INTO THE BRACKET AS SHOWN



03: SET OUT CORRESPONDING BRACKET POSITION, MARK CENTERS AND DRILL A PILOT HOLE FOR FIXINGS

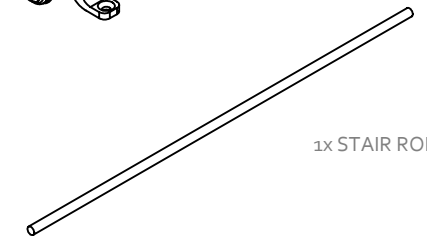


04: REPEAT STEPS 1-3 CHECKING EVERY OTHER STEP FOR ALIGNMENT AS YOU WORK UP.  
 NOTE: RODS HAVE SOME ADJUSTMENT WITHIN BRACKETS TO HELP MAINTAIN ALIGNMENT

### PACK CONTENTS (QUANTITY PER STEP)



2x BRACKET AND FINIAL  
 (COMES PRE ASSEMBLED)



1x STAIR ROD



4x WOOD SCREW