



CROFT



Product Code: 1100

Product Name: Cushion Cabinet Knob

Description: Available in a choice of four sizes to suit wardrobes, drawers, cabinets and kitchen units.

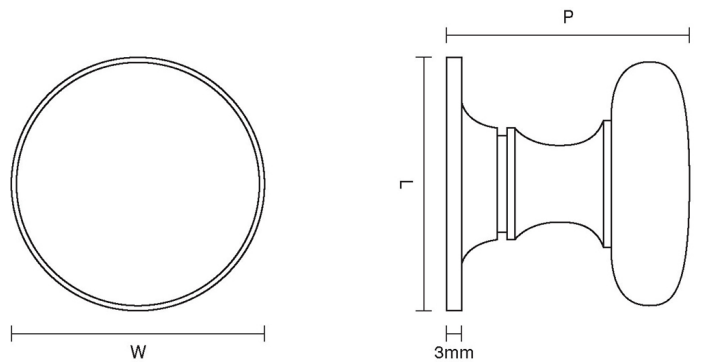
Now available in 2 weeks in selected finishes.

Shown here in our Aged Brass finish.

Product Information

Supplied with a M5 x 65mm break off screw.

50mm version supplied with a M6 x 50mm break off screw.



Sizes	L	W	P
1100-25	25mm	25mm	25mm
1100-32	32mm	32mm	32mm
1100-38	38mm	38mm	38mm
1100-50	50mm	50mm	50mm

Available in all Croft finishes excluding AN, AUT, DAB, DAN, DBMA, DORB, IBMA, IBUL, LAB, MBK, ORB, PRL, PB, CP, RBMA, SB, SBUL, SC, SN, SMK, TB, ZB, DEB, EB, CN, DCN,