



CROFT



Product Code: 4582

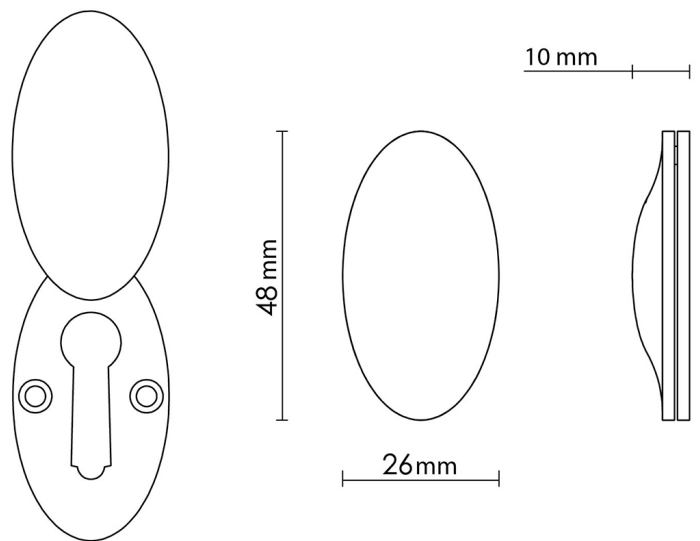
Product Name: Raised Oval Covered Escutcheon

Description: Add an elegant finishing touch with our beautifully crafted escutcheons.

Shown here in our Polished Brass Unlacquered finish.

Product Information

Fixings Supplied: 2 x (4 x 3/4) screws to match finish.
48 x 26mm



Available in all Croft finishes excluding RBMA, TB,