



# CROFT



**Product Code:** 4560

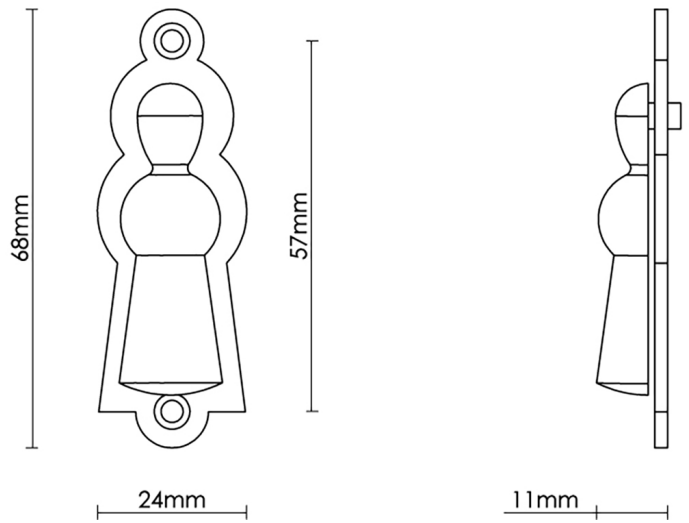
**Product Name:** Marlsborough Escutcheon

**Description:** Add an elegant finishing touch with our beautifully crafted escutcheons.

Shown here in our Light Antique Brass finish.

## Product Information

68 x 24mm Fixings Supplied: 2 x (4 x 1/2) screws to match finish. 68 x 24mm Fixings Supplied: 2 x (4 x 1/2) screws to match finish.



Available in all Croft finishes