



CROFT



Product Code: 1892

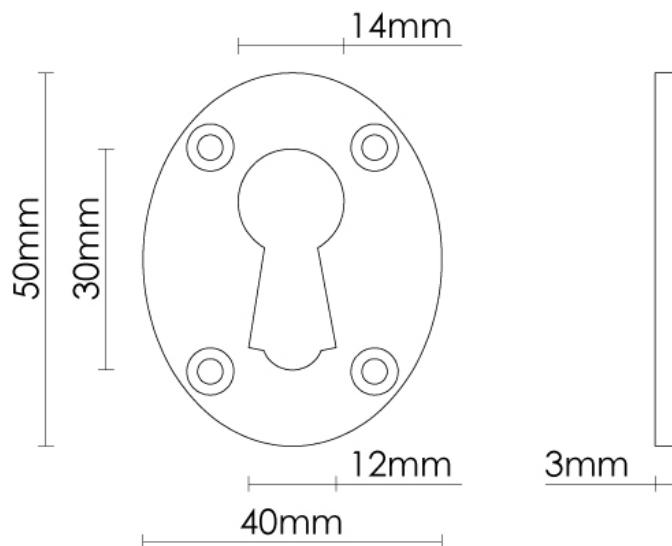
Product Name: Escutcheon For Rim Locks

Description: Add an elegant finishing touch with our beautifully crafted escutcheons.

Shown here in our Light Antique Brass finish.

Product Information

Supplied with 4 No 6 x 3/4 screws in a matching finish.



Available in all Croft finishes excluding RBMA, TB,