



CROFT



Product Code: 6399R

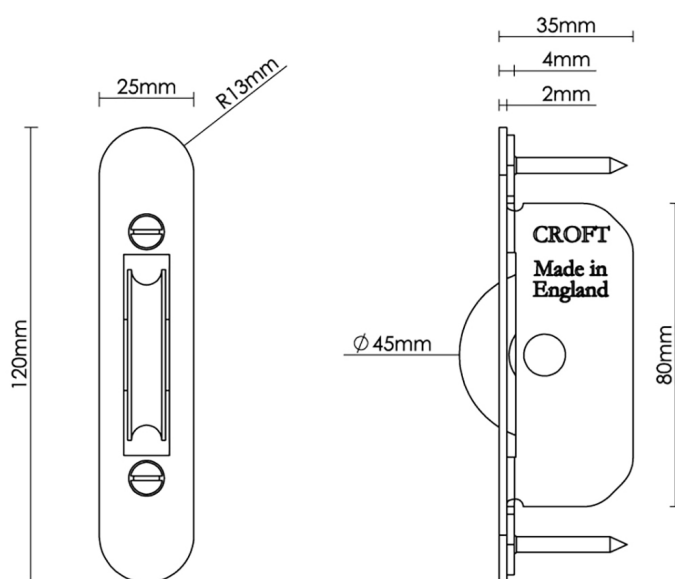
Product Name: Radius Edge Sash Pulley

Description: The 6399R Pulley has been precision engineered for consistency, using state of the art machinery and hand finishing techniques. Face plate and wheel beautifully hand finished in a choice of over 20 stunning finishes. Also available with Square Edge.

Shown here in our Satin Nickel finish.

Product Information

Round groove for use with cord. Supplied with 2 x No. 8 wood screws. Suitable for sash weight: 100kg. Housing box is zinc plated. Stainless steel axle pin and bush.



Available in all Croft finishes excluding RBMA, TB,