



# CROFT



**Product Code:** 6399

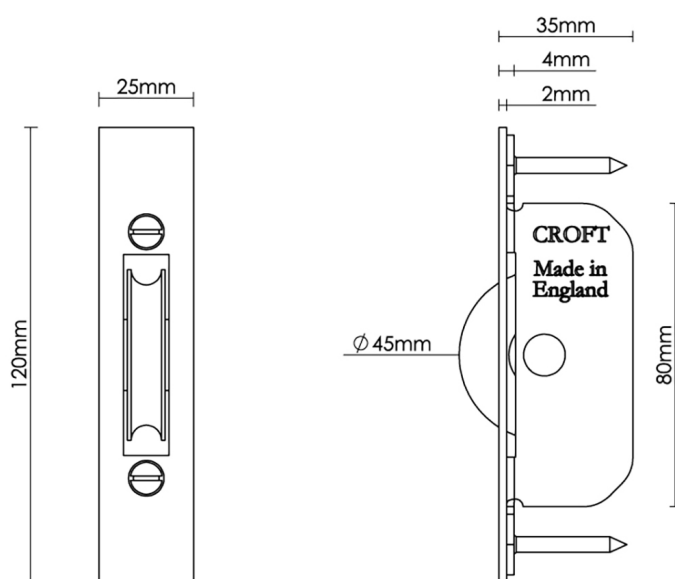
**Product Name:** Square Edge Sash Pulley

**Description:** The 6399 Pulley has been precision engineered for consistency, using state of the art machinery and hand finishing techniques. Face plate and wheel beautifully hand finished in a choice of over 20 stunning finishes. Also available with Radius Edge.

Shown here in our Polished Nickel finish.

## Product Information

Round groove for use with cord. Supplied with 2 x No. 8 wood screws. Suitable for sash weight: 100kg. Housing box is zinc plated. Stainless steel axle pin and bush.



Available in all Croft finishes excluding RBMA, TB,