



CROFT



Product Code: 1883

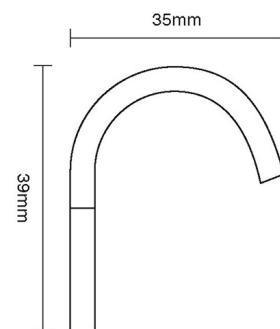
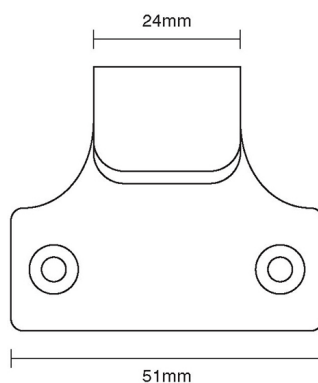
Product Name: Cast Sash Lift

Description: Complete your look. Classic, elegant and part of our full range of sash window fittings.

Shown here in our Polished Nickel finish.

Product Information

51mm width



Available in all Croft finishes