



CROFT



Product Code: 3466L

Product Name: Lockable Claw Fastener – Ball End

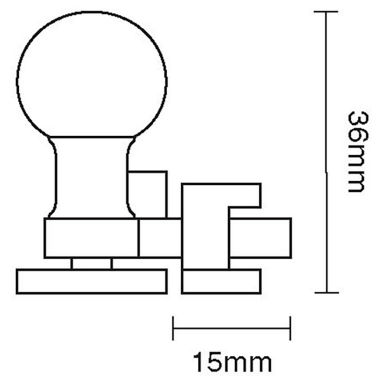
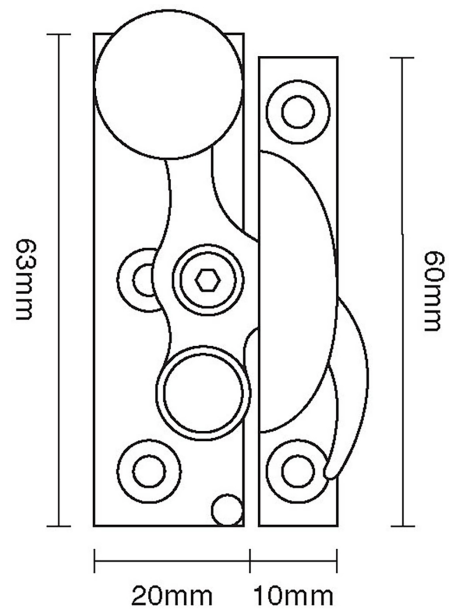
Description: Part of our full sash window offering, our Lockable Claw Fastener - Ball End.

3466 non locking version pictured.

Shown here in our Polished Brass Unlacquered finish.

Product Information

Also available: 3466 Non locking version 63mm



Available in all Croft finishes excluding DORB, IBMA, IBUL, MBK, ORB, RBMA, TB, ZB,