



CROFT



Product Code: 3466

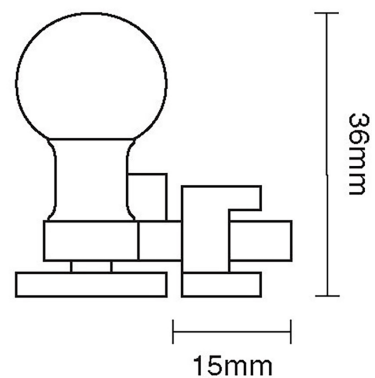
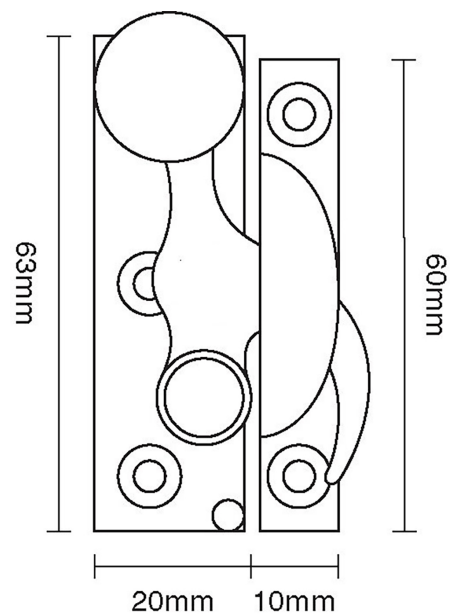
Product Name: Claw Fastener – Ball End

Description: Part of our full sash window offering, our beautifully crafted Claw Fastener - Ball End.

Shown here in our Polished Brass Unlacquered finish.

Product Information

Also available: 3466L Locking version Note- 3466L Locking Version shown in photo. 63mm



Available in all Croft finishes excluding DORB, IBMA, IBUL, MBK, ORB, RBMA, TB, ZB,