



# CROFT



**Product Code:** 1826L

**Product Name:** Lockable Brighton Fastener

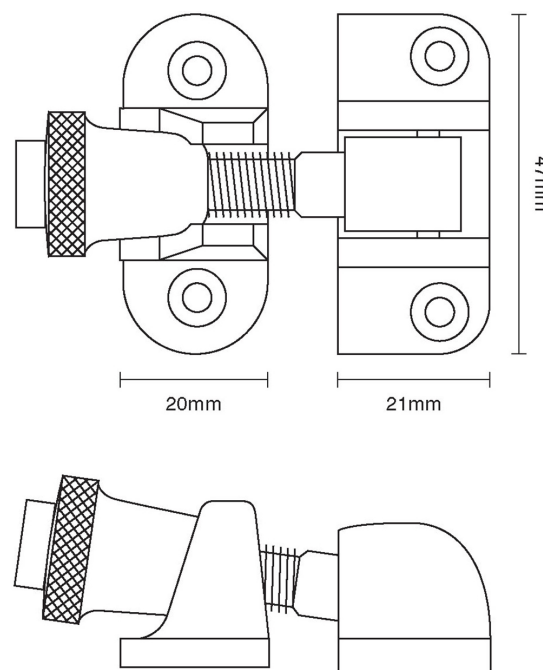
**Description:** Part of our full sash window offering, our Lockable Sash Fastener.

1826 non locking version pictured.

Shown here in our Satin Brass finish.

## Product Information

Also available: 1826 Non locking version. 47mm



Available in all Croft finishes excluding DORB, IBMA, IBUL, MBK, ORB, RBMA, TB,