



CROFT



Product Code: 1825

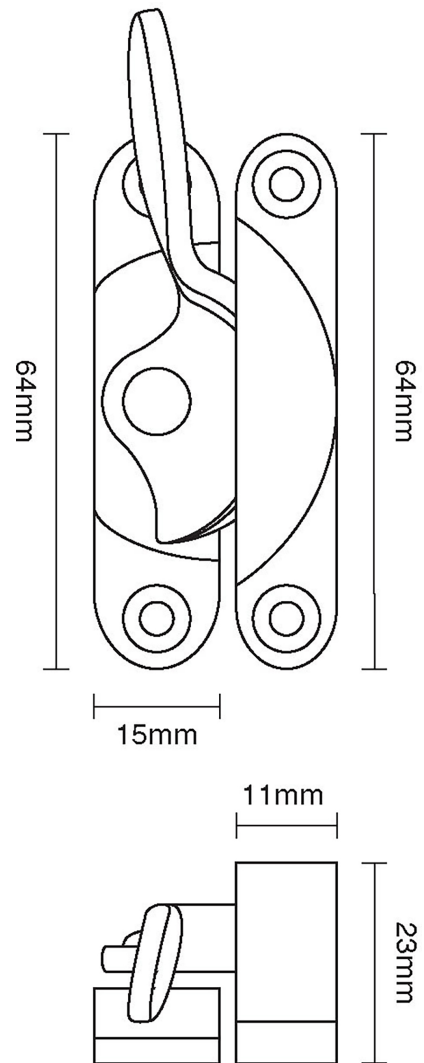
Product Name: Fitch Fastener

Description: Part of our full sash window offering, our beautifully crafted Fitch Fastener.

Shown here in our Polished Brass Unlacquered finish.

Product Information

Suitable for narrow sashes, 11mm wide. Also available: 1825L Locking version. Note- 1825L Locking Version shown in photo. 64mm Suitable for narrow sashes, 11mm wide.



Available in all Croft finishes excluding DORB, IBMA, IBUL, MBK, ORB,