



CROFT



Product Code: 1762

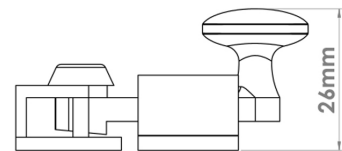
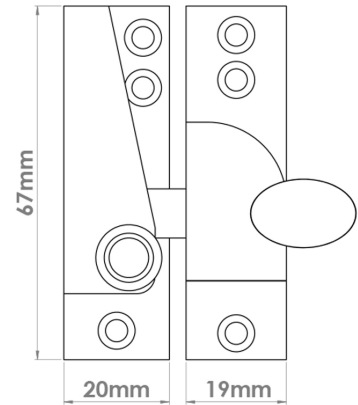
Product Name: Straight Arm Sash Fastener

Description: Part of our full sash window offering, our beautifully crafted Straight Arm Sash Fastener.

Shown here in our Aged Brass finish.

Product Information

67mm



Available in all Croft finishes excluding RBMA, TB,