



CROFT



Product Code: 6438L

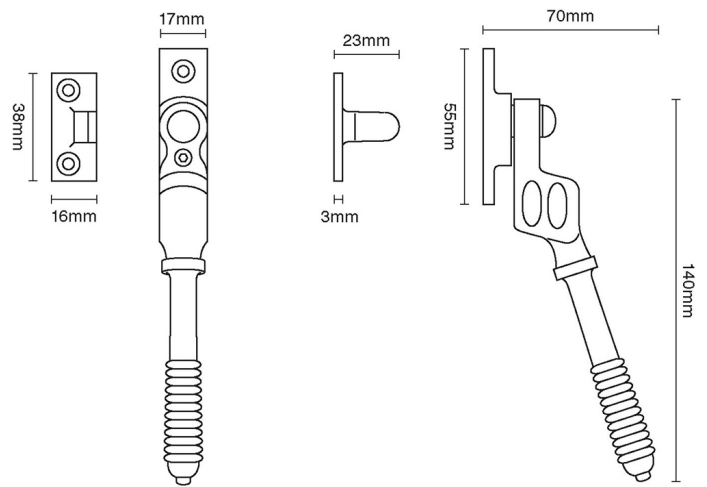
Product Name: Lockable Double Night Vent Fastener – Reeded

Description: Part of our full range of casement window fittings, this fastener has two venting positions. The locking feature allows ventilation, whilst also keeping the window locked. Also available: 6438 - Non locking version.

Shown here in our Polished Brass finish.

Product Information

55 x 17mm backplate.



Available in all Croft finishes excluding DORB, IBMA, IBUL, MBK, ORB, RBMA, TB,