



CROFT



Product Code: 1850

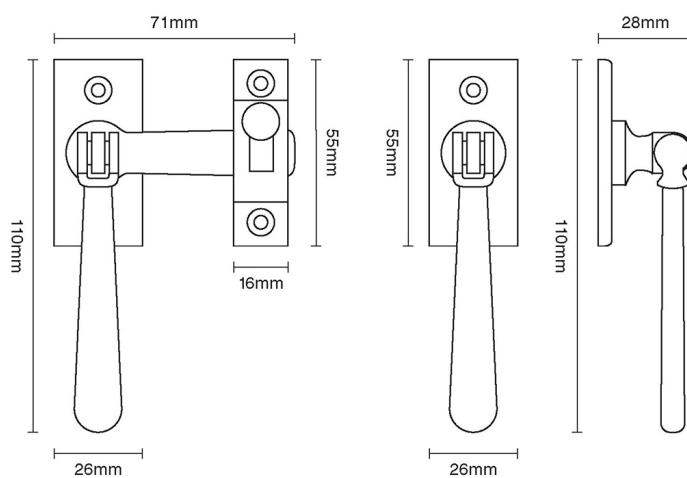
Product Name: French Window Fastener

Description:

Shown here in our Distressed Antique Nickel finish.

Product Information

110mm



Available in all Croft finishes excluding RBMA, TB,