



# CROFT



**Product Code:** 6450

**Product Name:** Window Espagnolette Handle – Spoon End – Narrow Style

**Description:** Part of our full range of window fittings, our espagnolette handles add an extra touch of elegant character to your windows.

Shown here in our finish.

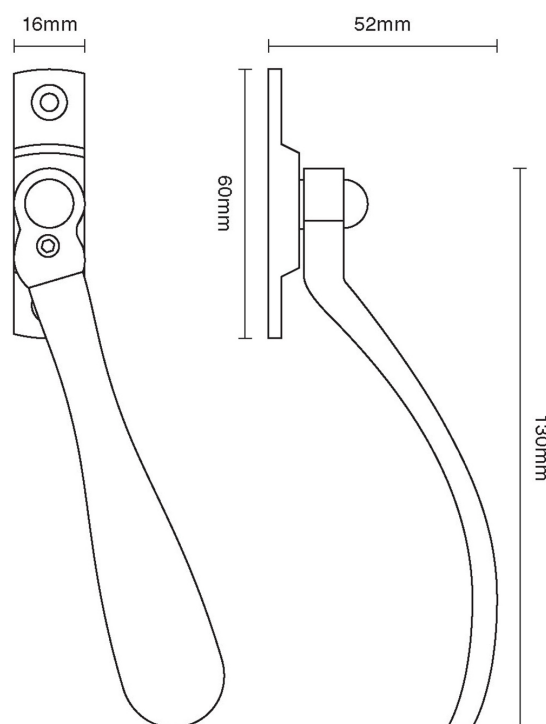
## Product Information

60 x 16mm backplate.

Supplied with a 40mm long spindle as standard.

Also available: 6450L Locking version.

This product is handed.



Available in all Croft finishes excluding RBMA, TB,