



CROFT



Product Code: 6450L

Product Name: Lockable Window Espagnolette Handle – Spoon End – Narrow Style

Description: Part of our full range of window fittings, our espagnolette handles add an extra touch of elegant character to your windows.

Shown here in our Satin Brass finish.

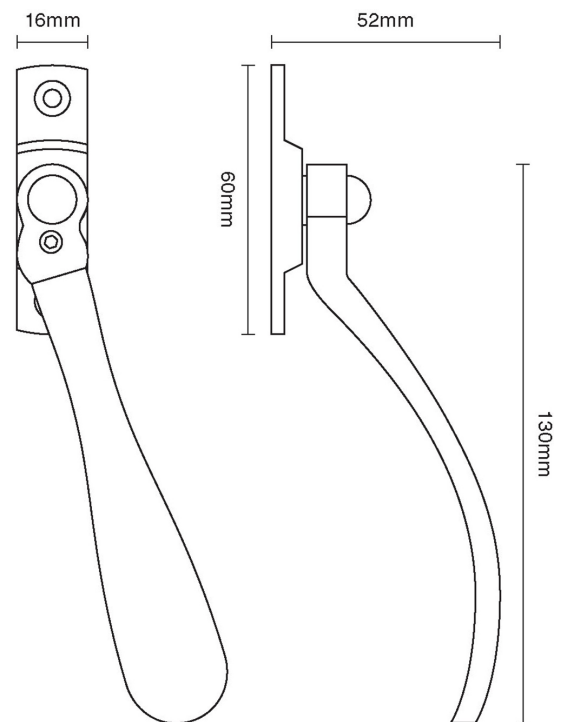
Product Information

60 x 16mm backplate.

Supplied with a 40mm long spindle as standard.

Also available: 6450 Non locking version.

This product is handed.



Available in all Croft finishes excluding RBMA, TB,