



CROFT



Product Code: 1794L

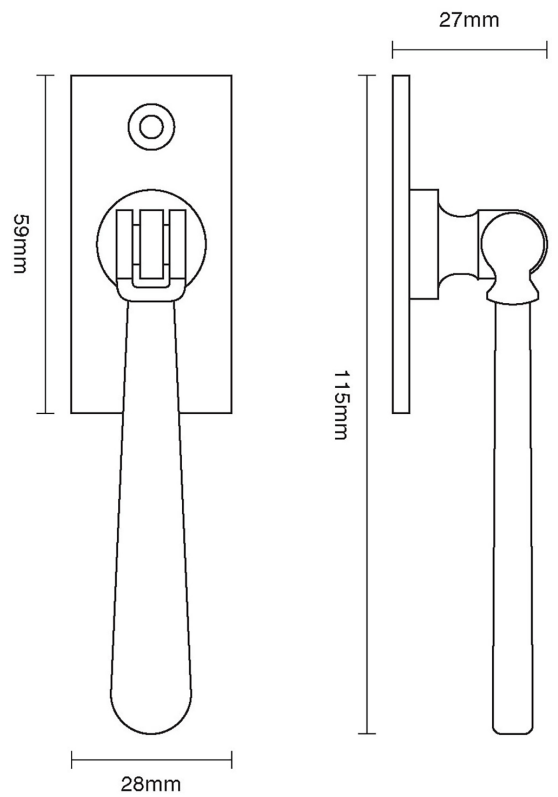
Product Name: Lockable Window Espagnolette Handle – Straight

Description: Part of our full range of window fittings, our espagnolette handles add an extra touch of elegant character to your windows.

Shown here in our Satin Brass finish.

Product Information

60 x 25mm backplate, supplied with 7mm sq x 40mm spindle.



Available in all Croft finishes excluding DORB, IBMA, IBUL, MBK, ORB, RBMA, TB,