



CROFT



Product Code: 6463

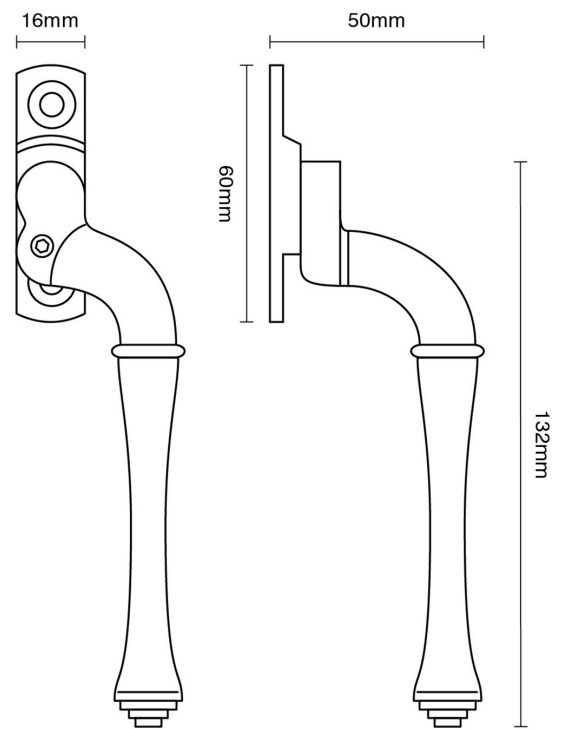
Product Name: Fairmont Window Espagnolette Handle – Narrow Style

Description: Part of our full range of window fittings, our espagnolette handles add an extra touch of elegant character to your windows.

Shown here in our finish.

Product Information

60 x 16mm backplate. Also available: 6463L locking version.



Available in all Croft finishes excluding PG, PGUL, RBMA, TB,