



# CROFT



**Product Code:** 1794

**Product Name:** Window Espagnolette Handle – Straight

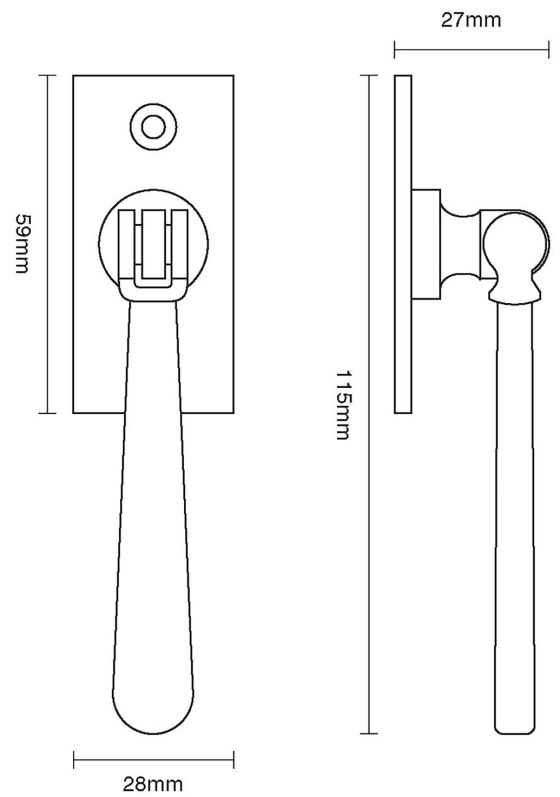
**Description:** Part of our full range of window fittings, our espagnolette handles add an extra touch of elegant character to your windows.

Shown here in our finish.

## Product Information

60 x 25mm backplate, supplied with 7mm sq x 40mm spindle.

Also available: 1794L Locking version.



Available in all Croft finishes excluding RBMA, TB,