



CROFT



Product Code: 1954

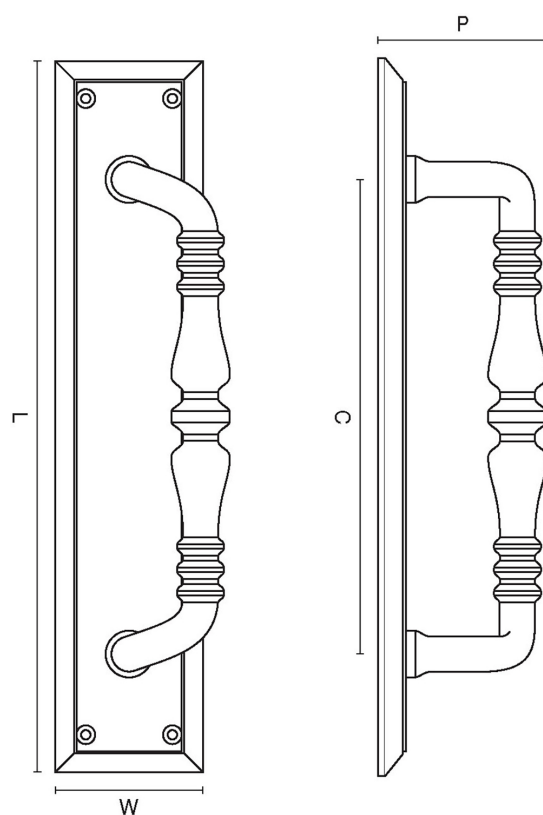
Product Name: Ornate Pull Handle On Plate

Description: An Ornate Pull Handle on backplate available in sizes- 12 x 2 1/2" and 14 1/2 x 3".

Shown here in our Aged Brass finish.

Product Information

An Ornate Pull Handle on backplate available in sizes- 12 x 2 1/2" and 14 1/2 x 3".



Available in all Croft finishes excluding DORB, IBMA, IBUL, MBK, ORB, RBMA, TB,