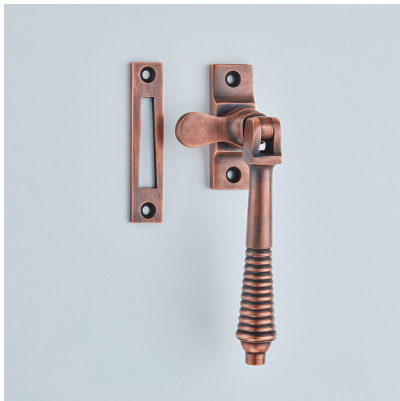




CROFT



Product Code: 6436W

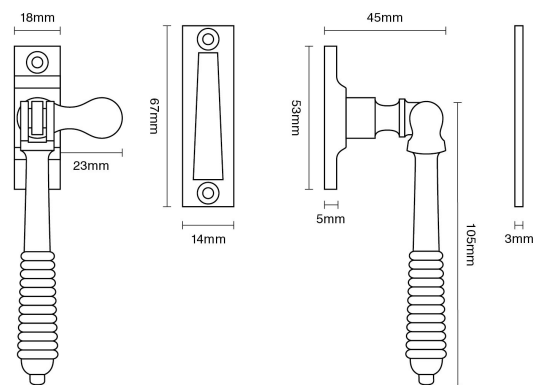
Product Name: Reeded Casement Fastener – Weatherseal

Description: Part of our full range of window fittings. Suitable for windows fitted with a weatherseal. Weatherseal Locking Version available

Shown here in our Autumn Bronze finish.

Product Information

Part of our full range of window fittings. Suitable for windows fitted with a weatherseal. Weatherseal Locking Version available



Available in all Croft finishes excluding DORB, IBMA, IBUL, MBK, ORB, RBMA, TB,