



CROFT



Product Code: 1798

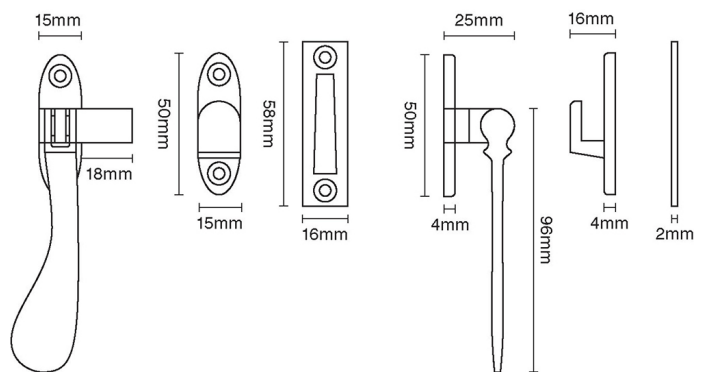
Product Name: Spoon End Casement Fastener

Description: Part of our full range of casement window fittings. Locking, Weatherseal, & Extended Tongue version available.

Shown here in our Antique Brass finish.

Product Information

- Available with Mortice plate (MP) With Hook plate (HP) With Mortice and Hook plate (MP & HP)
- Polished Bronze Unlacquered, Real Bronze, and Tudor Bronze finishes available on MP & HP version only.



Available in all Croft finishes excluding DORB, IBMA, IBUL, MBK, ORB,