



CROFT



Product Code: 1401

Product Name: Linear Top Fix Cabinet Edge Pull

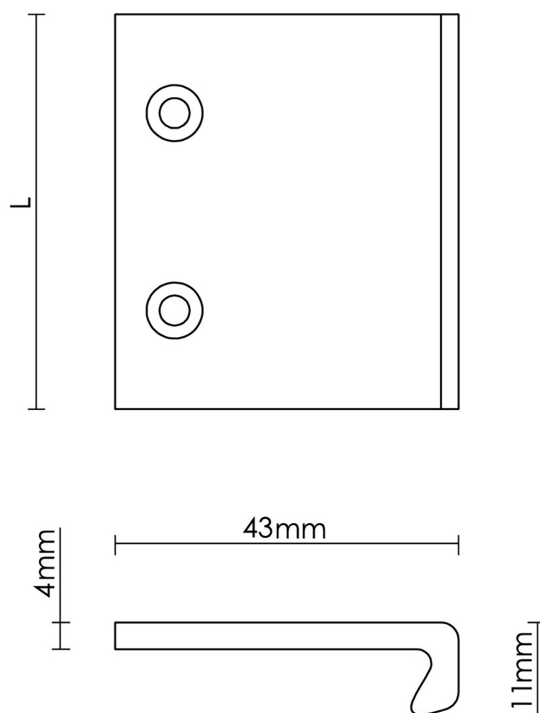
Description: Part of our range of contemporary cabinet Edge Pulls. Our Linear Top Fix Edge Pull, modern and simplistic in design and contour. To be recessed into drawers and doors for a clean and minimalistic composition. Available in a choice of 5 width options to suit, plus bespoke sizes available on request.

Shown here in our Polished Nickel finish.

Product Information

Available in 50mm, 75mm, 100mm, 150mm, or 200mm sizes as standard. Custom lengths available on request.

Supplied with fixing screws.



Sizes

50mm

75mm

100mm

150mm

200mm

Available in all Croft finishes excluding RBMA, TB,