



# CROFT



**Product Code:** 1100

**Product Name:** Cushion Cabinet Knob

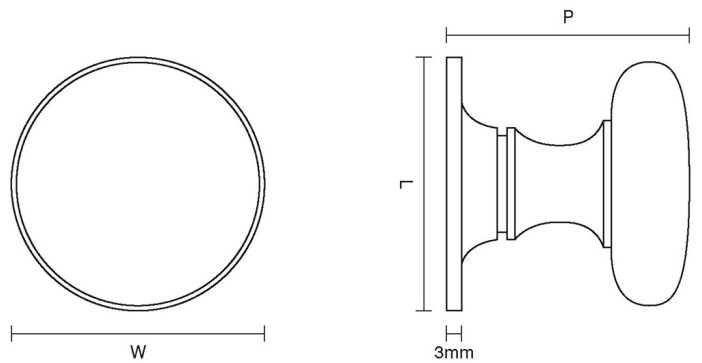
**Description:** Available in a choice of four sizes to suit wardrobes, drawers, cabinets and kitchen units.

Shown here in our Distressed Antique Nickel finish.

## Product Information

Supplied with a M5 x 65mm break off screw.

50mm version supplied with a M6 x 50mm break off screw.



Sizes	L	W	P
25mm	25	25	25
32mm	32	32	32
38mm	38	38	38
50mm	50	50	50

Available in all Croft finishes