



CROFT



Product Code: 263

Product Name: Round Pillow Cylinder Cover

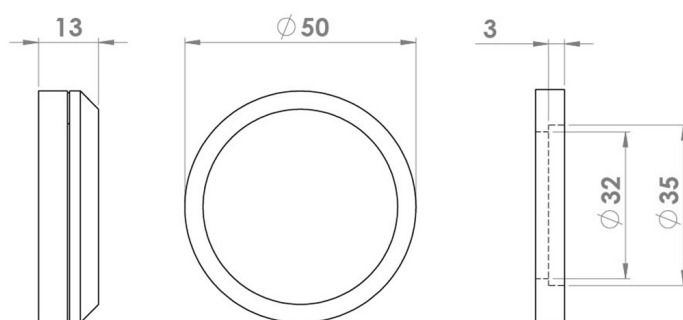
Description: Machined to accept either UK or US standard mortice cylinders.

Available in pin fix, or face fix supplied with fixing screws.

Shown here in our Polished Nickel finish.

Product Information

Machined to accept either UK or US standard mortice cylinders. Available in either pin fix or face fix. Supplied with wood screws.



Available in all Croft finishes excluding DORB, IBMA, IBUL, MBK, ORB, RBMA, TB,