



CROFT



Product Code: 261

Product Name: Round Edge Step Cylinder Cover

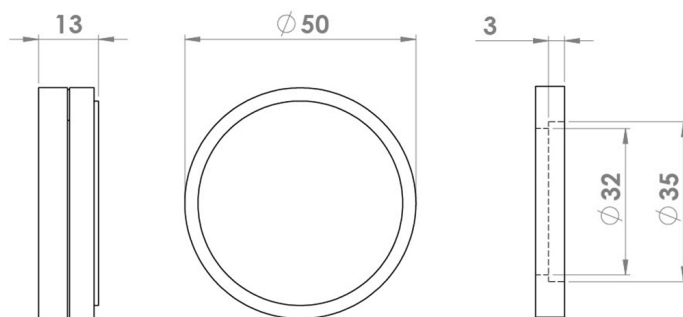
Description: Part of our 'Elements, by Croft' Collection. A two part cylinder collar with swing cover. Whether you are looking for seamlessly matching door and cabinet furniture, or seeking a more eclectic personalised look, Elements, By Croft will allow you to explore your options and customise your selection, all within a project ready collection.

Shown here in our Polished Nickel finish.

Product Information

Machined to accept either UK or US standard mortice cylinders.

Available in pin fix, or face fix supplied with fixing screws.



Available in all Croft finishes excluding RBMA, TB,