



# CROFT



**Product Code:** 1916

**Product Name:** Octagonal Bell Push

**Description:** Our stylish octagonal bell push complete with knurled detail and designed to complement our range of entrance door furniture. Perfectly completes your look.

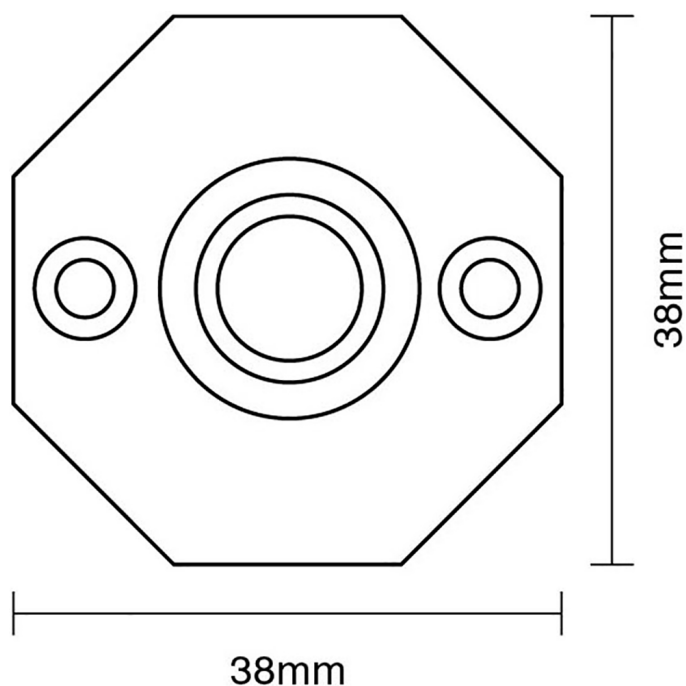
Shown here in our Polished Chrome finish.

## Product Information

To suit battery or standard mains supply.

Fixing Centres: 26mm

Supplied with fixing screws in matching finish.



Available in all Croft finishes excluding RBMA, TB, ZB,