



# CROFT



**Product Code:** 195

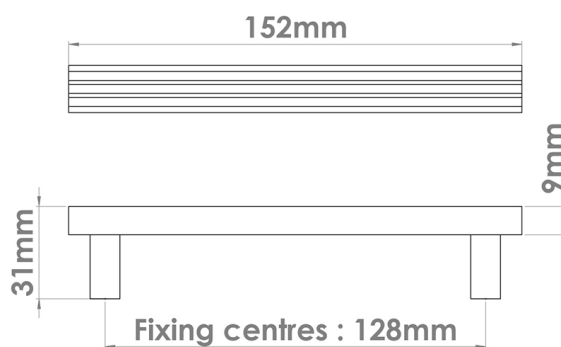
**Product Name:** Icon Cabinet Handle

**Description:** Our Icon cabinet handle is as practical as it is stunning. With a delicate fluted design on its face, the Icon handle is the perfect finishing touch to add detail to any cabinet door. Pair the Icon cabinet handle with the Icon knob for the perfect match.

Shown here in our Matte Black Bronze finish.

## Product Information

Supplied with 2 No - M4 x 50mm Break off screw



Available in all Croft finishes excluding PG, PGUL, RBMA, TB,