



# CROFT



**Product Code:** 197-128

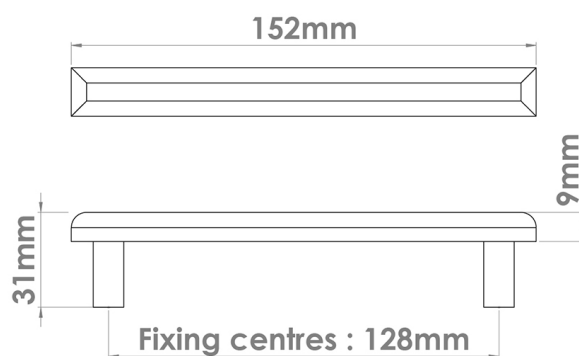
**Product Name:** Pillow Cabinet Handle

**Description:** As it's name suggests, the Pillow cabinet knob is soft to the touch with its square face curving down into smooth rectangular sides. This durable cabinet knob can be paired with the pillow cabinet handle.

Shown here in our Pearl Nickel finish.

## Product Information

Supplied with 2 No - M4 x 50mm Break off screws



Available in all Croft finishes excluding RBMA, TB,