



CROFT



Product Code: 7116

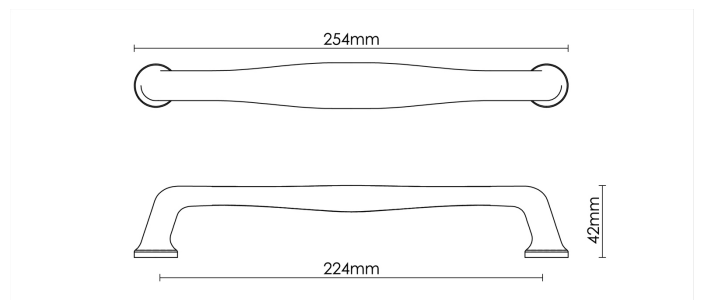
Product Name: Elegance Appliance Pull

Description: Part of our Elegance collection, the Elegance appliance pull subtly thickens in the middle forming a unique shape. Simple yet impactful, the Elegance appliance pull pairs beautifully with the Elegance cabinet handle, and cabinet knob.

Shown here in our Imitation Bronze Unlacquered finish.

Product Information

2 x M6 x 50mm Break off screw



Available in all Croft finishes excluding RBMA, TB,