



# CROFT



**Product Code:** H1754

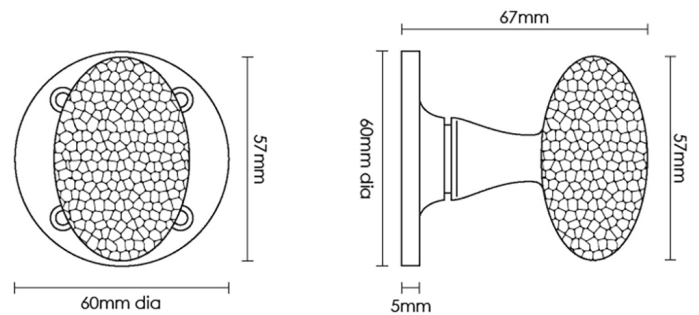
**Product Name:** Hammered Oval Mortice Knob Furniture

**Description:** From our factory in the heart of England, we meticulously transform each piece of hardware by hand to bring you the Croft 'Hammered Series', available in a wide choice of finishes.

Shown here in our Antique Nickel finish.

## Product Information

Supplied with 4 x Wood Screws per Rose and Plain Spindle. All imperial dimensions are rounded to the nearest 1/8". Rim version also available H1754R.



Available in all Croft finishes excluding AUT, DAB, DAN, DORB, LAB, ORB, PRL, RBMA, SC, SN, SMK, TB,