



CROFT



Product Code: 1788

Product Name: Oval Door Knob On School Board Backplate

Description: Cast in Solid Bronze.

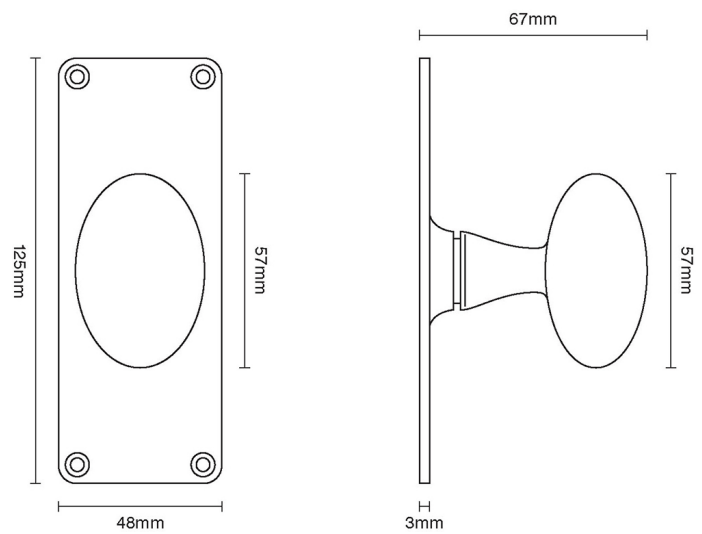
This product is available in Real Bronze and Tudor Bronze.

Shown here in our Real Bronze finish.

Product Information

Cast in Solid Bronze.

This product is available in Real Bronze and Tudor Bronze.



Available in all Croft finishes excluding AGD, AB, AN, AUT, DAB, DAN, DBMA, DORB, IBMA, IBUL, LAB, MBK, ORB, PRL, PB, PBUL, CP, PN, SB, SBUL, SC, SN, SMK, ZB,