



# CROFT



**Product Code:** 1790

**Product Name:** Ball Door Knob On School Board Backplate

**Description:** Cast in Solid Bronze.

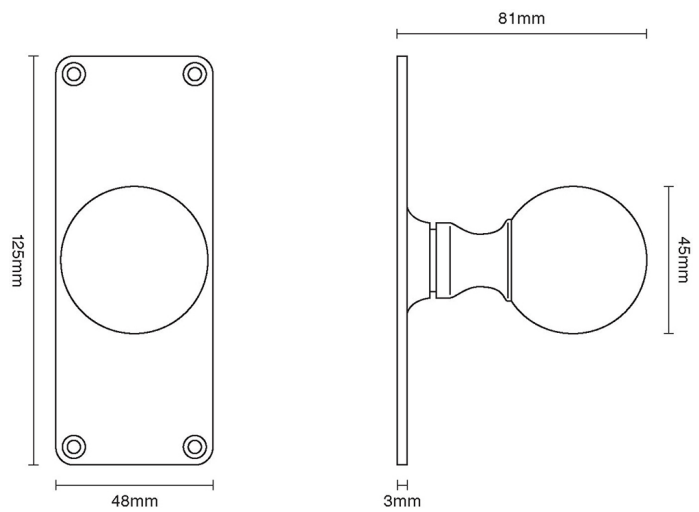
This product is available in Real Bronze and Tudor Bronze.

Shown here in our Real Bronze finish.

## Product Information

Cast in Solid Bronze.

This product is available in Real Bronze and Tudor Bronze.



Available in all Croft finishes excluding AGD, AB, AN, AUT, DAB, DAN, DBMA, DORB, IBMA, IBUL, LAB, MBK, ORB, PRL, PB, PBUL, CP, PN, SB, SBUL, SC, SN, SMK, ZB,