



# CROFT



**Product Code:** 1798-HP&MP

**Product Name:** Spoon End Casement Fastener

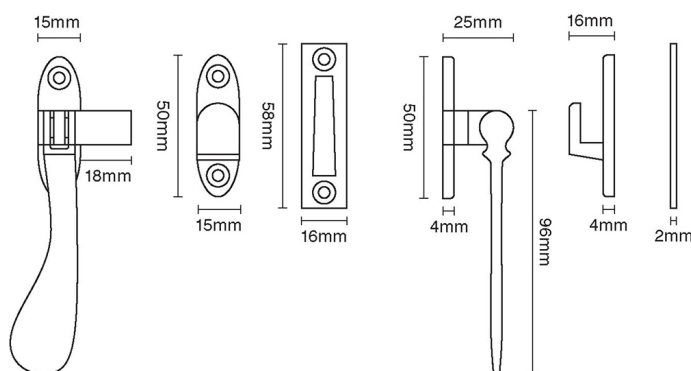
**Description:** Crafted from Cast Bronze.

This product is available in Real Bronze and Tudor Bronze.

Shown here in our Tudor Bronze finish.

## Product Information

Complete with a hook and mortice plate



Available in all Croft finishes excluding AGD, AB, AN, AUT, DAB, DAN, DBMA, DORB, IBMA, IBUL, LAB, MBK, ORB, PRL, PB, PBUL, CP, PN, SB, SBUL, SC, SN, SMK, ZB,