



CROFT



Product Code: 1766-2.5

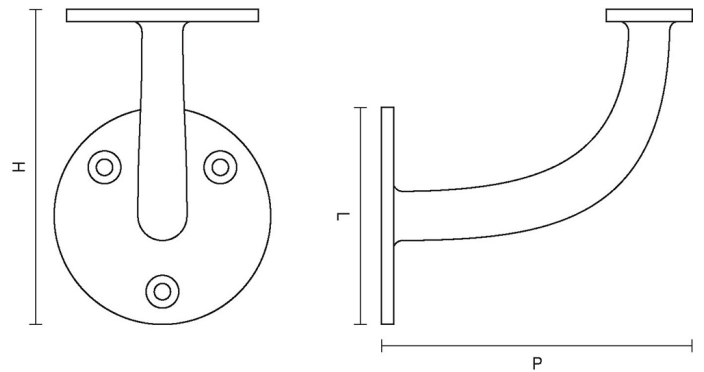
Product Name: Handrail Bracket

Description: Our 2.1/2" Handrail Bracket. Crafted from Cast Bronze. Available in our Real Bronze, Tudor Bronze, or Polished Bronze Unlacquered finishes.

Shown here in our Tudor Bronze finish.

Product Information

Our 2.1/2" Handrail Bracket. Crafted from Cast Bronze. Available in our Real Bronze, Tudor Bronze, or Polished Bronze Unlacquered finishes.



Sizes	L	W	H
2.1/2"	54	78	76

Available in all Croft finishes excluding AGD, AB, AN, AUT, DAB, DAN, DBMA, DORB, IBMA, IBUL, LAB, MBK, ORB, PRL, PB, PBUL, CP, PN, SB, SBUL, SC, SN, SMK, ZB,