



CROFT



Product Code: 1825L

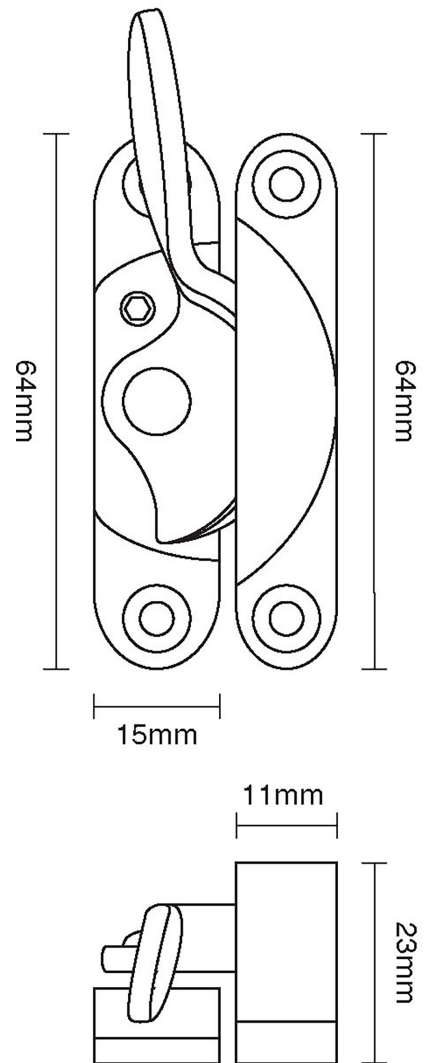
Product Name: Lockable Fitch Fastener

Description: Our Lockable Sash Fastener for sash windows, cast in Solid Bronze.

Shown here in our Tudor Bronze finish.

Product Information

Suitable for narrow sashes, 11mm wide.



Available in all Croft finishes excluding AGD, AB, AN, AUT, DAB, DAN, DBMA, DORB, IBMA, IBUL, LAB, MBK, ORB, PRL, PB, PBUL, CP, PN, SB, SBUL, SC, SN, SMK, ZB,