



CROFT



Product Code: H1100-32

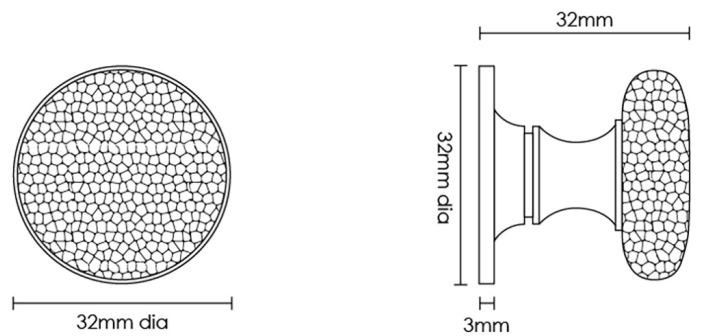
Product Name: Hammered Cushion Cabinet Knob 32mm

Description: From our factory in the heart of England, we meticulously transform each piece of hardware by hand to bring you the Croft 'Hammered Series', available in a wide choice of finishes.

Shown here in our Antique Brass finish.

Product Information

Supplied with a M5 x 65mm break off screw.



Available in all Croft finishes excluding AUT, DAB, DAN, DORB, IBMA, IBUL, LAB, MBK, ORB, PRL, RBMA, SC, SN, SMK, TB, DEB, CN,